

4

3

2

1

THIS DRAWING IS UNPUBLISHED.

RELEASED FOR PUBLICATION

ALL RIGHTS RESERVED.

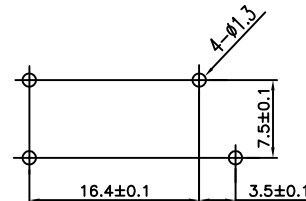
© COPYRIGHT - By TE Connectivity

LOC HB DIST -

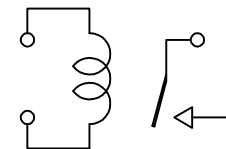
REVISIONS

| P  | LTR | DESCRIPTION  | DATE      | DWN | APVD |
|----|-----|--|-----------|-----|------|
| C1 |     | UPDATE PAC SPEC ECO-10-0111636   | 07-JUL-09 | HYS | YBH  |
| E  |     | CHANGE TE LOGO&ADD LINE IDENTIFICATION&TERMINALS CLARIFICATION ECO-12-005305 | 28-MAR-12 | HYS | YBH  |

DRILLING DIAGRAM(BOTTOM VIEW)

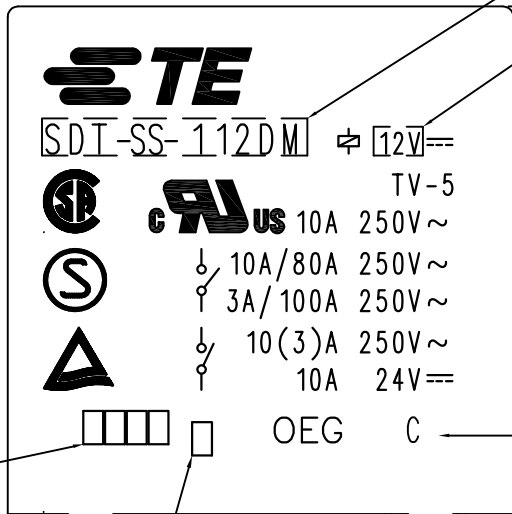


CONNECTION DIAGRAM



PART A

PART B



25±0.5

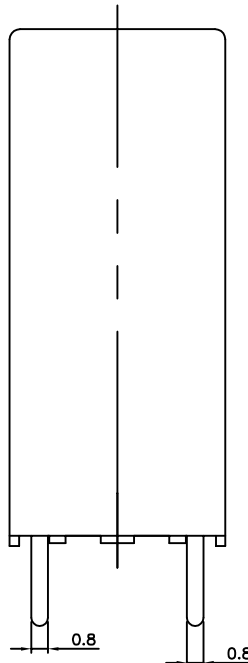
3.8±0.3

0.45

0.3

0.4

"A"



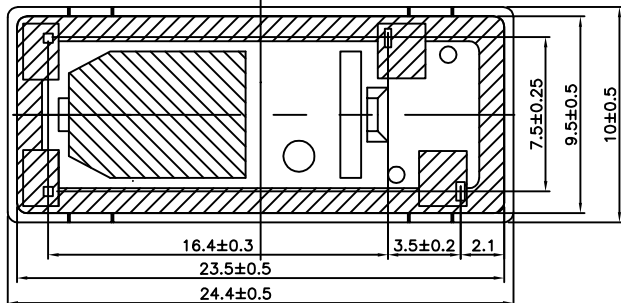
0.8

0.8

C:MADE IN CHINA

LOT NO.

ONE CHARACTER FOR LINE IDENTIFICATION



| Diagram dimension | Tolerance |
|-------------------|-----------|
| max. 1mm          | ±0.1mm    |
| 1 - 3mm           | ±0.2mm    |
| min. 3mm          | ±0.3mm    |

THIS DRAWING IS A CONTROLLED DOCUMENT.

|                  |   |
|------------------|---|
| DWN<br>H.SASAKI  | TE Connectivity                             |
| CHK<br>K.OKADO   |   |
| APVD<br>A.NAGAI  | NAME  |
| PRODUCT SPEC     | SDT-SH-DM.000(STANDARD)<br>CUSTOMER DRAWING |
| APPLICATION SPEC | SIZE CAGE CODE DRAWING NO RESTRICTED TO     |
| WEIGHT           | A3 00779 C=1419126-5                        |
| CUSTOMER DRAWING | SCALE 4:1 SHEET 1 OF 2 REV E                |

THIS DRAWING IS UNPUBLISHED.

RELEASED FOR PUBLICATION

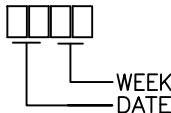
-. - .

© COPYRIGHT - BY TE Connectivity

ALL RIGHTS RESERVED.

|     |      |           |     |             |      |     |      |
|-----|------|-----------|-----|-------------|------|-----|------|
| LOC | DIST | REVISIONS |     |             |      |     |      |
| HB  | -    | P         | LTR | DESCRIPTION | DATE | DWN | APVD |
|     |      | -         |     | SEE SHEET 1 | -    | -   | -    |

- NOTES:  
 1. TERMINAL DIMENSIONS BEFORE SOLDER DIP  
 2. LOT NO. SYSTEM AS FOLLOWING:



- ③ 3. FOR THE TIN-PLATING OF THE PINS: +0.1mm FOR WIDTH, THICKNESS AND DIAMETER  
 +0.5mm FOR LENGTH

|             |              |              |        |              |      |
|-------------|--------------|--------------|--------|--------------|------|
| 1-1419126-0 | SDT-SH-124DM | 107-84016 ③  | 24V    | SDT-SH-124DM | d    |
| 2-1419146-6 | SDT-SH-118DM | 107-84016 ③  | 18V    | SDT-SH-118DM | c    |
| 1419126-5   | SDT-SH-112DM | 107-84016 ③  | 12V    | SDT-SH-112DM | b    |
| 1461023-1   | SDT-SH-105DM | 107-84016 ③  | 5V     | SDT-SH-105DM | a    |
| TE PART NO  | TE TYPE NAME | PACKING SPEC | PART B | PART A       | TYPE |

RELAY TYPE

|             |                |      |
|-------------|----------------|------|
| UV RESIN    | RESIN (VENT)   | 13   |
| EPOXY RESIN | RESIN (CASE)   | 12   |
| UEW         | MAGNETIC WIRE  | 11   |
| PBT         | CASE           | 10   |
| Cu ALLOY    | HINGE SPRING   | 9    |
| Cu ALLOY    | COIL TERMINAL  | 8    |
| Cu ALLOY    | M TERMINAL     | 7    |
| Cu ALLOY    | MOVABLE SPRING | 6    |
| PBT         | BOBBIN         | 5    |
| PPS         | CARD           | 4    |
| STEEL       | CORE           | 3    |
| STEEL       | ARMATURE       | 2    |
| STEEL       | YOKE           | 1    |
| MATERIAL    | DESCRIPTION    | ITEM |

|  |     |                  |   |        |             |       |     |       |     |       |     |        |     |                  |      |           |            |               |
|--|-----|------------------|---|--------|-------------|-------|-----|-------|-----|-------|-----|--------|-----|------------------|------|-----------|------------|---------------|
| THIS DRAWING IS A CONTROLLED DOCUMENT.   |     | DWN<br>H.SASAKI  |   |        |             |       |     |       |     |       |     |        |     |                  |      |           |            |               |
|  |     | CHK<br>K.OKADO   |   |        |             |       |     |       |     |       |     |        |     |                  |      |           |            |               |
| DIMENSIONS:<br>mm  |     | APVD<br>A.NAGAI  | NAME  |        |             |       |     |       |     |       |     |        |     |                  |      |           |            |               |
| TOLERANCES UNLESS OTHERWISE SPECIFIED:   |     | PRODUCT SPEC     | SDT-SH-DM.000(STANDARD)<br>CUSTOMER DRAWING |        |             |       |     |       |     |       |     |        |     |                  |      |           |            |               |
| <table border="0"> <tr><td>0 PLC</td><td>± -</td></tr> <tr><td>1 PLC</td><td>± -</td></tr> <tr><td>2 PLC</td><td>± -</td></tr> <tr><td>3 PLC</td><td>± -</td></tr> <tr><td>4 PLC</td><td>± -</td></tr> <tr><td>ANGLES</td><td>± -</td></tr> </table> |     | 0 PLC            | ± -   | 1 PLC  | ± -         | 2 PLC | ± - | 3 PLC | ± - | 4 PLC | ± - | ANGLES | ± - | APPLICATION SPEC | SIZE | CAGE CODE | DRAWING NO | RESTRICTED TO |
| 0 PLC  | ± - |                  |   |        |             |       |     |       |     |       |     |        |     |                  |      |           |            |               |
| 1 PLC  | ± - |                  |   |        |             |       |     |       |     |       |     |        |     |                  |      |           |            |               |
| 2 PLC  | ± - |                  |   |        |             |       |     |       |     |       |     |        |     |                  |      |           |            |               |
| 3 PLC  | ± - |                  |   |        |             |       |     |       |     |       |     |        |     |                  |      |           |            |               |
| 4 PLC  | ± - |                  |   |        |             |       |     |       |     |       |     |        |     |                  |      |           |            |               |
| ANGLES   | ± - |                  |   |        |             |       |     |       |     |       |     |        |     |                  |      |           |            |               |
| MATERIAL   |     | WEIGHT           | A3  | 00779  | ③=1419126-5 | -     |     |       |     |       |     |        |     |                  |      |           |            |               |
|  |     | CUSTOMER DRAWING | SCALE                                       | SHEET  | REV         |       |     |       |     |       |     |        |     |                  |      |           |            |               |
|  |     |                  | 4:1   | 2 OF 2 | E           |       |     |       |     |       |     |        |     |                  |      |           |            |               |