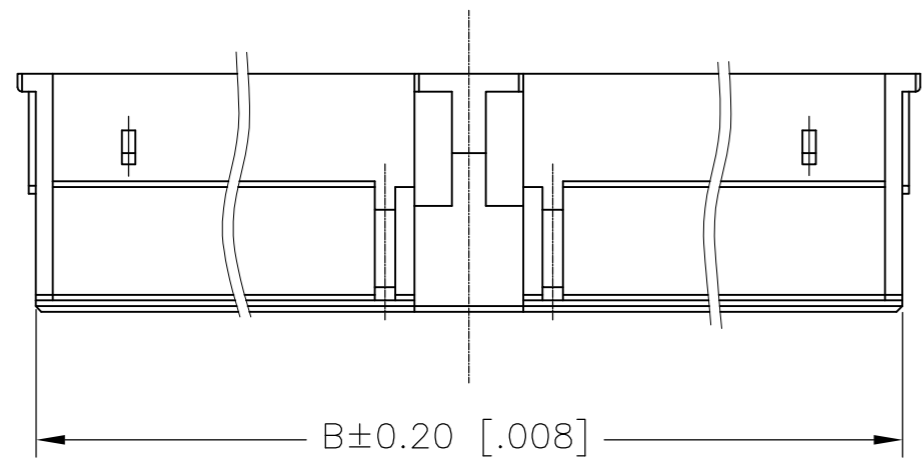
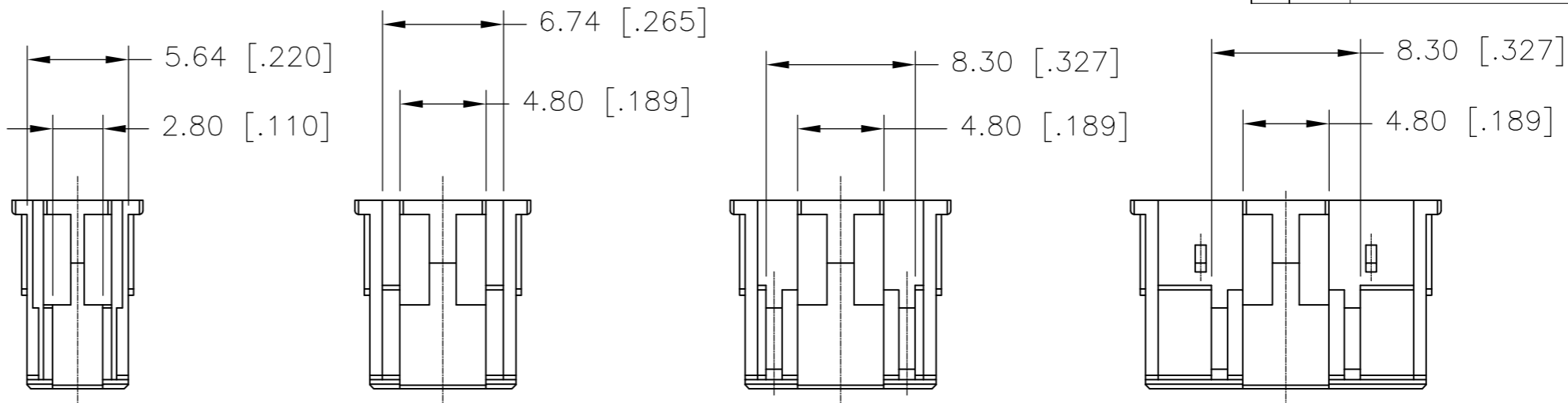


THIS DRAWING IS UNPUBLISHED. RELEASED FOR PUBLICATION  
 © COPYRIGHT 2011 By - AMP ALL RIGHTS RESERVED.

LOC		DIST		REVISIONS			
P	LTR	DESCRIPTION		DATE	DWN	APVD	
AF	50	A1	REV PER ECO	11-025073	14DEC11	JR SM	



7 THRU 20 POSITION  
1969442-X



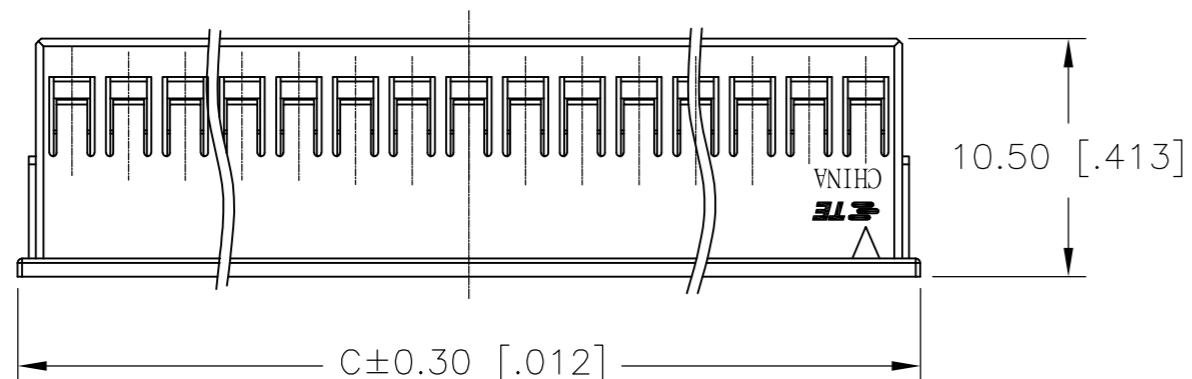
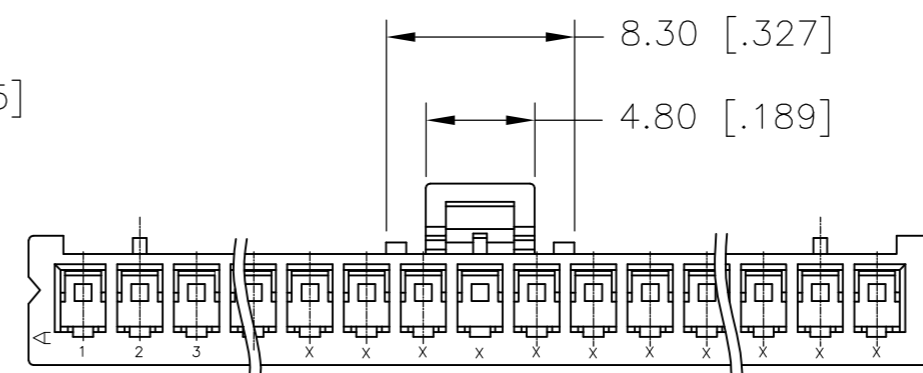
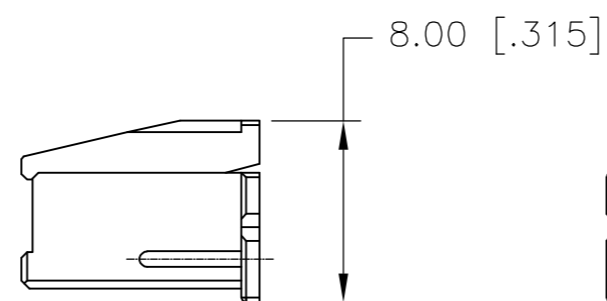
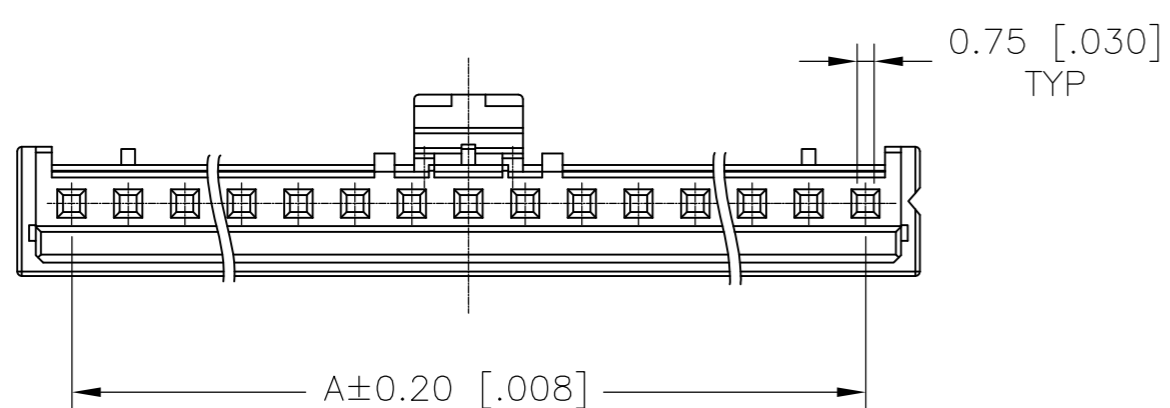
2 POSITION  
1969442-2

3 POSITION  
1969442-3

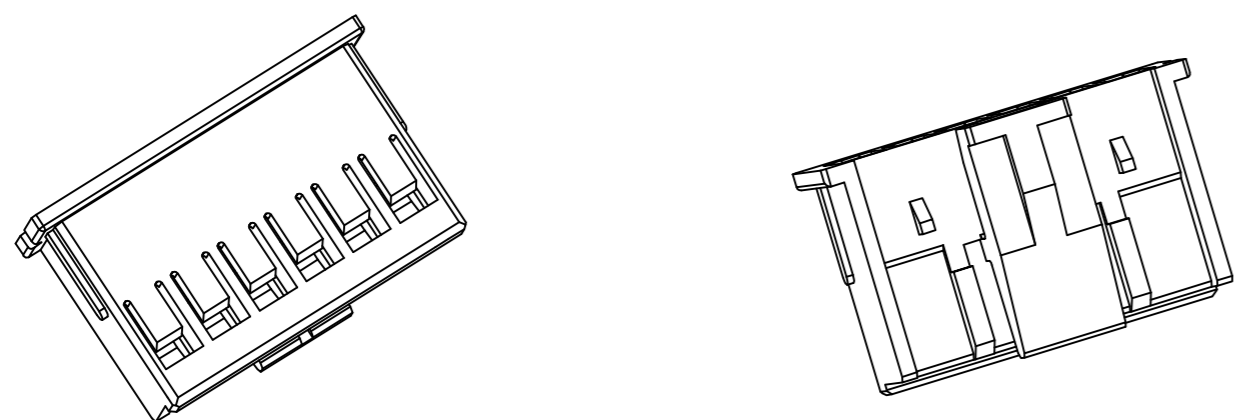
4 & 5 POSITION  
1969442-4 &  
1969442-5

6 POSITION  
1969442-6

- MATERIAL: NYLON UL94-V0  
COLOR - WHITE
- ACCEPTS TE RECEPTACLES  
P/N'S 2110989-( )
- THESE HOUSINGS CAN ACCEPT  
OPTIONAL TPA ( RETAINER )  
P/N 1969443-( )
- MATES WITH TE HEADER ASSEMBLIES  
2132230-( ) AND 2132415-( ).



47.5 [1.870]	50.64 [1.994]	52.3 [2.059]	20	2-1969442-0
45.0 [1.772]	48.14 [1.895]	49.8 [1.960]	19	1-1969442-9
42.5 [1.673]	45.64 [1.797]	47.3 [1.862]	18	1-1969442-8
40.0 [1.575]	43.14 [1.698]	44.8 [1.764]	17	1-1969442-7
37.5 [1.476]	40.64 [1.560]	42.3 [1.665]	16	1-1969442-6
35.0 [1.378]	38.14 [1.502]	39.8 [1.567]	15	1-1969442-5
32.5 [1.280]	35.64 [1.403]	37.3 [1.469]	14	1-1969442-4
30.0 [1.181]	33.14 [1.305]	34.8 [1.370]	13	1-1969442-3
27.5 [1.083]	30.64 [1.206]	32.3 [1.272]	12	1-1969442-2
25.0 [.984]	28.14 [1.108]	29.8 [1.173]	11	1-1969442-1
22.5 [.886]	25.64 [1.009]	27.3 [1.075]	10	1-1969442-0
20.0 [.787]	23.14 [.911]	24.8 [.976]	9	1969442-9
17.5 [.689]	20.64 [.813]	22.3 [.888]	8	1969442-8
15.0 [.591]	18.14 [.714]	19.8 [.780]	7	1969442-7
12.5 [.492]	15.64 [.616]	17.3 [.681]	6	1969442-6
10.0 [.394]	13.14 [.517]	14.8 [.583]	5	1969442-5
7.5 [.295]	10.64 [.419]	12.3 [.484]	4	1969442-4
5.0 [.197]	8.14 [.321]	9.8 [.386]	3	1969442-3
2.5 [.098]	5.64 [.222]	7.3 [.287]	2	1969442-2
A	B	C	POSITION	PART NUMBER
DIMENSION				



THIS DRAWING IS A CONTROLLED DOCUMENT.

DIMENSIONS: mm [INCHES]	TOLERANCES UNLESS OTHERWISE SPECIFIED: 0 PLC ± - 1 PLC ± - 2 PLC ± 0.25 [.010] 3 PLC ± - 4 PLC ± - ANGLES ± - FINISH	DWN JR RUTH 25MAY2011 CHK GENE JACONO 25MAY11 APVD GENE JACONO 25MAY11 PRODUCT SPEC 108-2418 APPLICATION SPEC 114-13315 WEIGHT - CUSTOMER DRAWING	NAME ECONOMY POWER 2.5 TPA HOUSING	SIZE A2 CAGE CODE 00779 DRAWING NO C=1969442 SCALE 3:1	RESTRICTED TO - SHEET 1 OF 1 REV A1
----------------------------	---	---	---------------------------------------	---	---

TE Connectivity