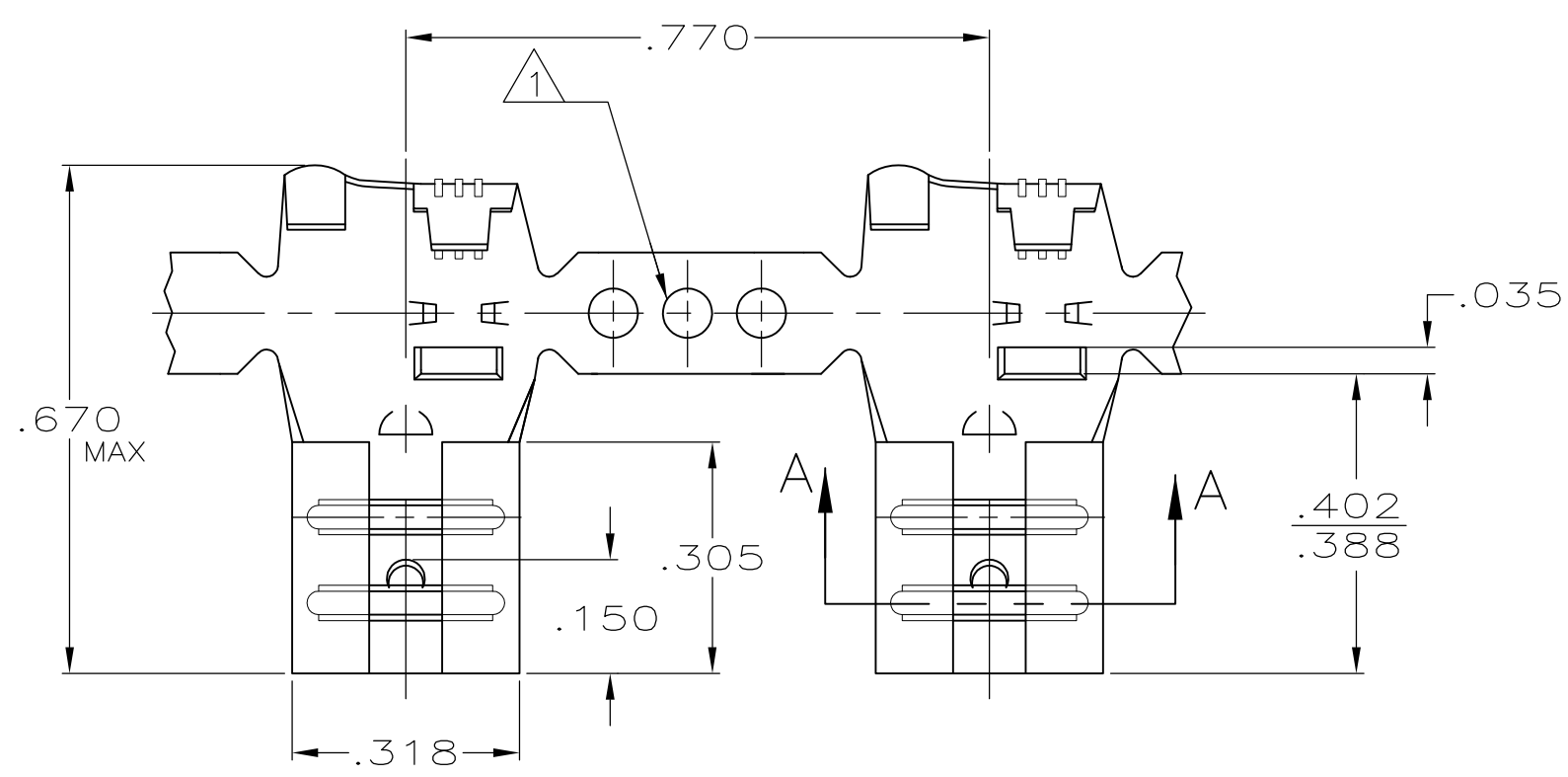
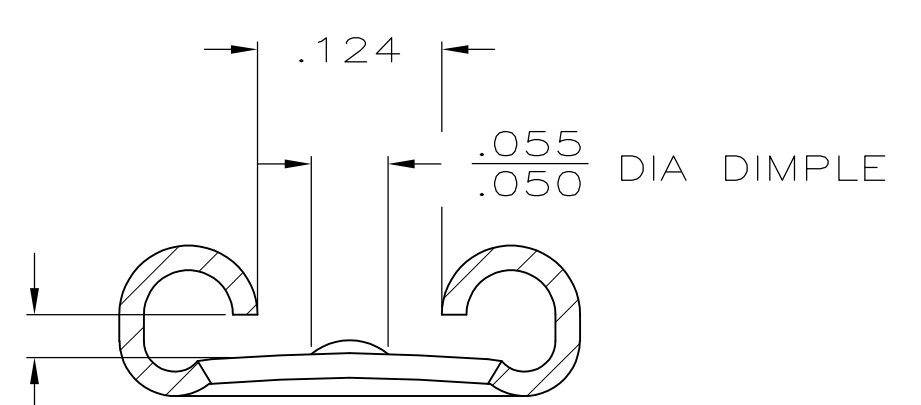


THIS DRAWING IS UNPUBLISHED. RELEASED FOR PUBLICATION  
 © COPYRIGHT - By - ALL RIGHTS RESERVED.

LOC	DIST	REVISIONS					
AF	50	P	LTR	DESCRIPTION	DATE	DWN	APVD
		Z		REVISED PER ECO-13-008266	20MAY13	JR	PD

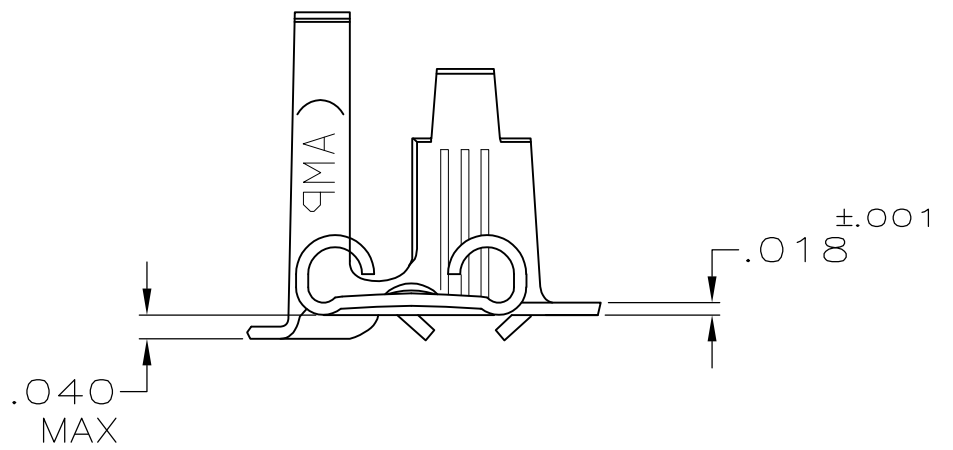



△ 1 SINGLE OR DOUBLE PILOT HOLE OPTIONAL



FITS .250 SERIES FASTON TAB

SECTION A-A  
SCALE 8:1



.110-.210	18-12	.032	41802											
INSULATION RANGE	WIRE SIZE	MATING TAB	PART NO											
THIS DRAWING IS A CONTROLLED DOCUMENT.		DWN JR RUTH 7/12/89	 TE Connectivity  RECEPTACLE, FASTON, FLAG, .250 SERIES											
DIMENSIONS: INCHES		CHK MS FEHER 7/12/89												
TOLERANCES UNLESS OTHERWISE SPECIFIED:		APVD C MEYERS 7/12/89												
<table border="0"> <tr><td>0 PLC</td><td>± -</td></tr> <tr><td>1 PLC</td><td>± -</td></tr> <tr><td>2 PLC</td><td>± -</td></tr> <tr><td>3 PLC</td><td>± .015</td></tr> <tr><td>4 PLC</td><td>± -</td></tr> <tr><td>ANGLES</td><td>± -</td></tr> </table>		0 PLC		± -	1 PLC	± -	2 PLC	± -	3 PLC	± .015	4 PLC	± -	ANGLES	± -
0 PLC	± -													
1 PLC	± -													
2 PLC	± -													
3 PLC	± .015													
4 PLC	± -													
ANGLES	± -													
MATERIAL BRASS	FINISH TIN	APPLICATION SPEC -	RESTRICTED TO -											
CUSTOMER DRAWING		WEIGHT -	<table border="0"> <tr> <td>SIZE</td> <td>CAGE CODE</td> <td>DRAWING NO</td> <td>RESTRICTED TO</td> </tr> <tr> <td>A3</td> <td>00779</td> <td>C-41802</td> <td>-</td> </tr> </table>	SIZE	CAGE CODE	DRAWING NO	RESTRICTED TO	A3	00779	C-41802	-			
SIZE	CAGE CODE	DRAWING NO	RESTRICTED TO											
A3	00779	C-41802	-											
		SCALE 4:1	<table border="0"> <tr> <td>SHEET</td> <td>REV</td> </tr> <tr> <td>1 OF 1</td> <td>Z</td> </tr> </table>	SHEET	REV	1 OF 1	Z							
SHEET	REV													
1 OF 1	Z													