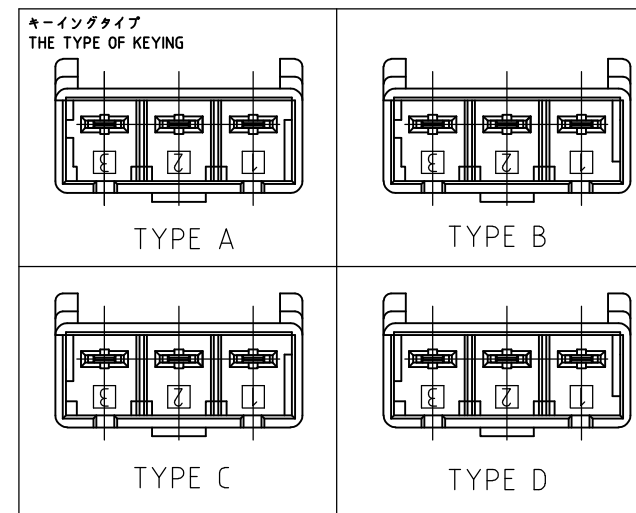
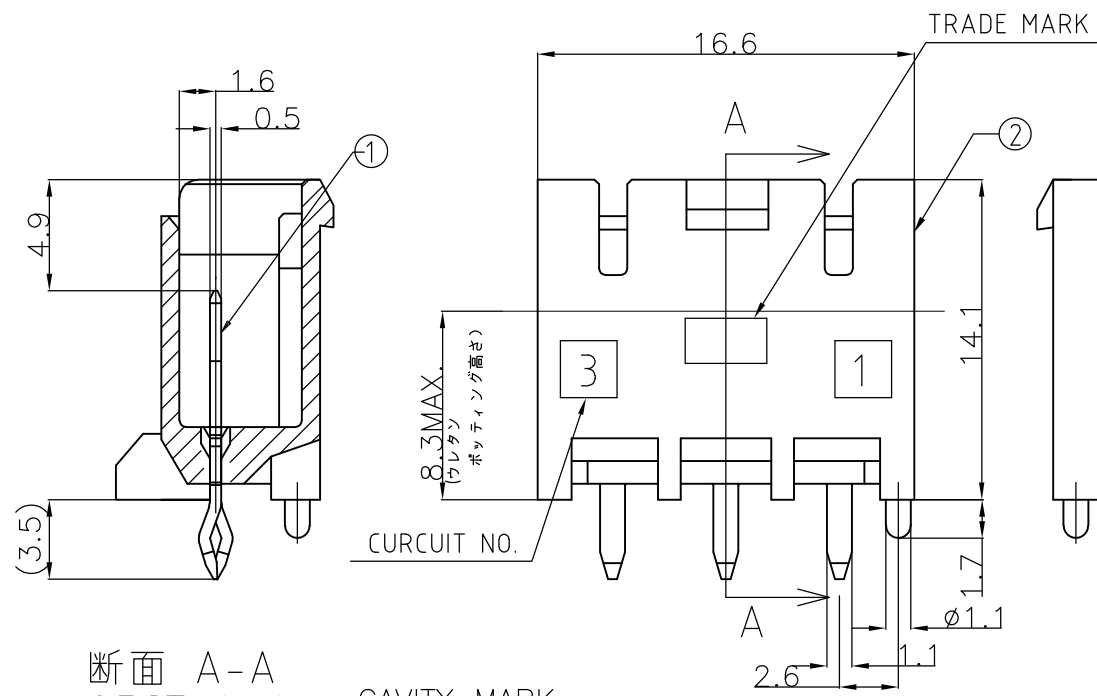
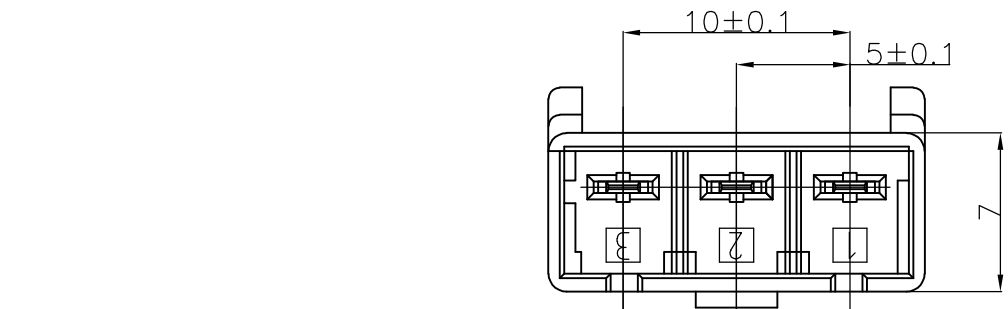


THIS DRAWING IS UNPUBLISHED. RELEASED FOR PUBLICATION
 © COPYRIGHT BY TYCO ELECTRONICS CORPORATION. ALL INTERNATIONAL RIGHTS RESERVED.

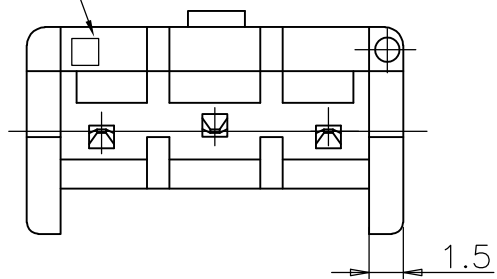
LOC	DIST	REVISIONS					
		P	LTR	DESCRIPTION	DATE	DWN	APVD
J	—	F		REVISED PER ECR-10-013610	30JUN2010	T.K	T.M
		G		REVISED PER ECR-12-015003	23AUG2012	A.Z	F.M



NO.	NAME	MATERIAL
②	HEADER HOUSING	6/6 NYLON GRASS FILLED/ NYLON 6
①	TAB	COPPER ALLOY CONTACT AREA: Au PLATING CONTACT TINE: Tin PLATING

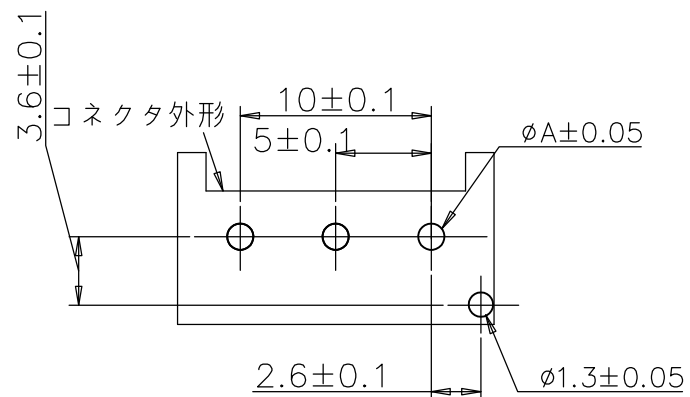
断面 A-A
SECT A-A

CAVITY MARK



キンク形状:
キンク無し形状は本タイン部が
ストレートである。

KINK SHAPE:
WITHOUT KINK IS
STRAIGHT SHAPE
OF TINE.



パンチ加工	1.25
ドリル加工	1.4
	A 寸法

- NOTES)
- RECOMMENDED P.C.B LAY OUT
 - APPLICABLE P.C.B. THICKNESS:1.6
 - MATING CONN. P/N
PLUG HOUSING :SEE TABLE
 - 1376383-5 COMPLY WITH GLOW WIRE REQUIREMENT FOR PARTS OF NON-METALLIC MATERIAL SUPPORTING A CURRENT-CARRYING CONNECTION DETAILED IN IEC 60335-1, SECTION 30 (GWT) .

1 プリント基板推奨穴加工寸法

1376389-5	WITH KINK	TYPE A	NATURAL	3Pos	1376383-5
3-1376389-4	WITHOUT KINK	TYPE D	YELLOW	3Pos	8-1376383-4
2-1376389-3	WITHOUT KINK	TYPE C	BLUE	3Pos	7-1376383-3
1-1376389-2	WITHOUT KINK	TYPE B	RED	3Pos	6-1376383-2
1376389-1	WITHOUT KINK	TYPE A	NATURAL	3Pos	5-1376383-1
3-1376389-4	WITH KINK	TYPE D	YELLOW	3Pos	3-1376383-4
2-1376389-3	WITH KINK	TYPE C	BLUE	3Pos	2-1376383-3
1-1376389-2	WITH KINK	TYPE B	RED	3Pos	1-1376383-2
1376389-1	WITH KINK	TYPE A	NATURAL	3Pos	1376383-1

かん合相手 (プラグ) P/N	キンク有無	キーイングタイプ	色	極数	型番
MATING CONN. P/N	WITH/WITHOUT KINK	TYPE OF KEYING	Color	Pos	PART NO.

THIS DRAWING IS A CONTROLLED DOCUMENT.

DWN	A.OISHI	28AUG'00	Tyco Electronics Corporation Kawasaki, Japan
CHK	Y.KASHIWA	28AUG'00	
APVD	Y.KASHIWA	28AUG'00	NAME 名称 5.0 POWER KEY CONNECTOR 3P HEADER ASSEMBLY
PRODUCT SPEC	製品規格	—	
APPLICATION SPEC	取付適用規格	—	SIZE A3
WEIGHT	—	—	

CUSTOMER DRAWING

CAGE CODE	00779	DRAWING NO	G-1376383	RESTRICTED TO	—
SCALE	3:1	SHEET	1 OF 1	REV	G