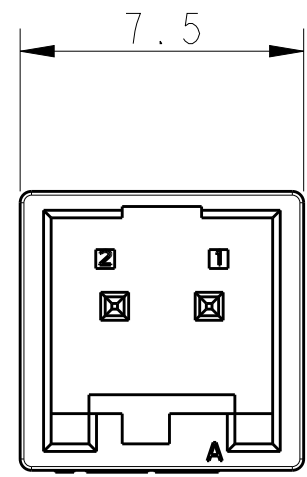


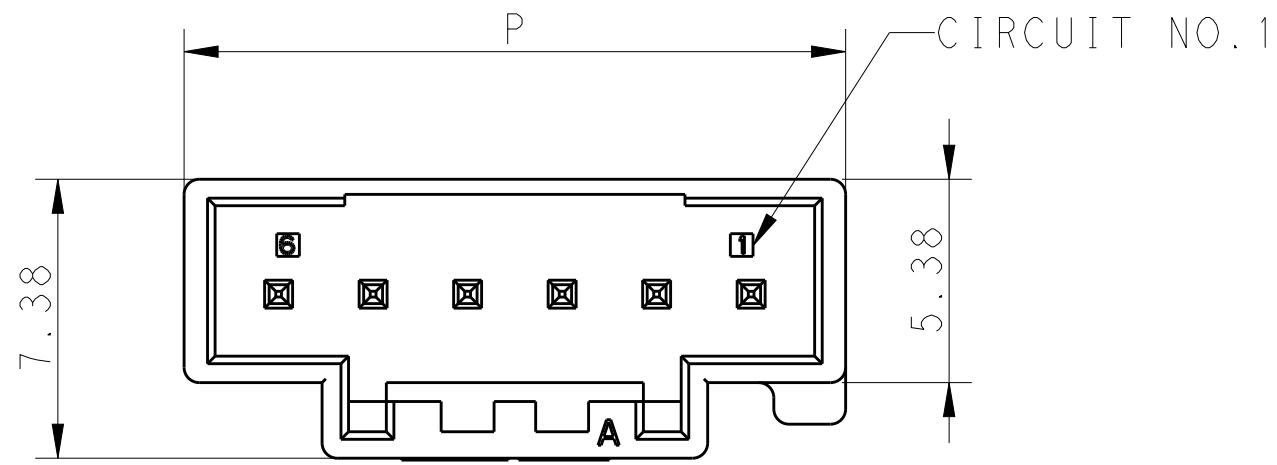
THIS DRAWING IS UNPUBLISHED. RELEASED FOR PUBLICATION
 © COPYRIGHT BY - TE CONNECTIVITY ALL RIGHTS RESERVED.

LOC		DIST		REVISIONS			
P	LTR	DESCRIPTION	DATE	DWN	APVD		
	A	INITIAL RELEASE	21FEB2012	H.J.Z	E.K		
	A2	UPDATE FOR KINK METHOD	19SEP2012	H.J.Z	YH.M		
	B	ADD 4P/7P PRODUCT	28MAY2013	H.J.Z	YH.M		

2Pos header housing assembly



6Pos header housing assembly



NOTES:

- 1.GENERAL TOLERANCE: ±0.3
- 2.MATERIAL SEE TABLE 1
- 3.MATING CONN. P/N:SEE TABLE(SHEET 2)

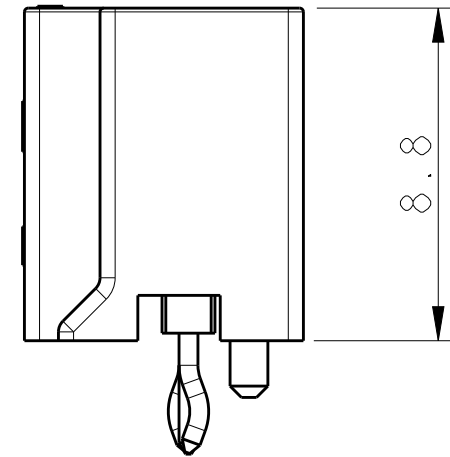
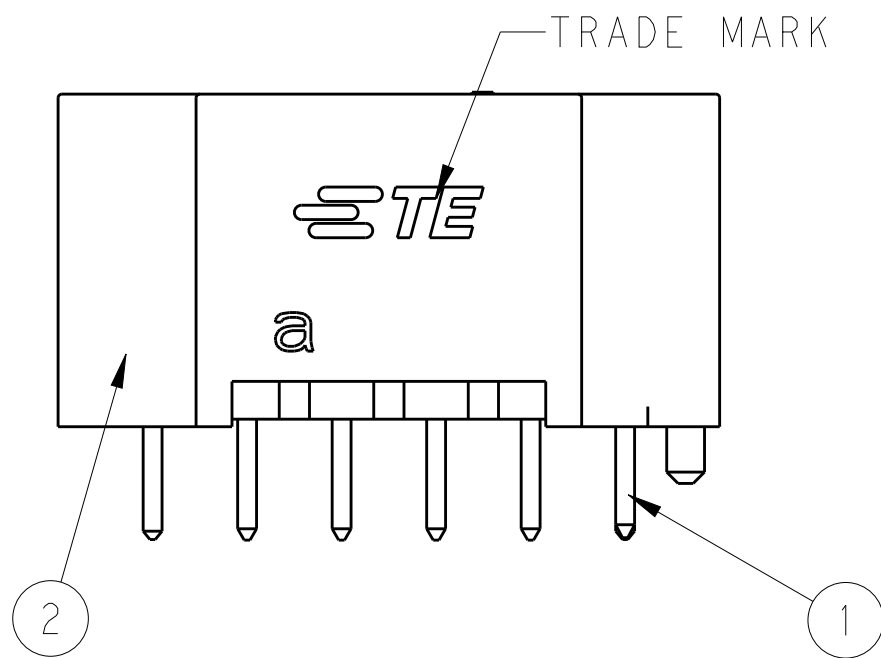
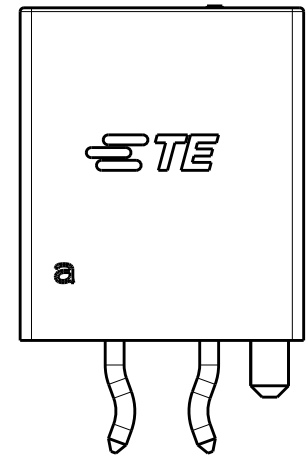
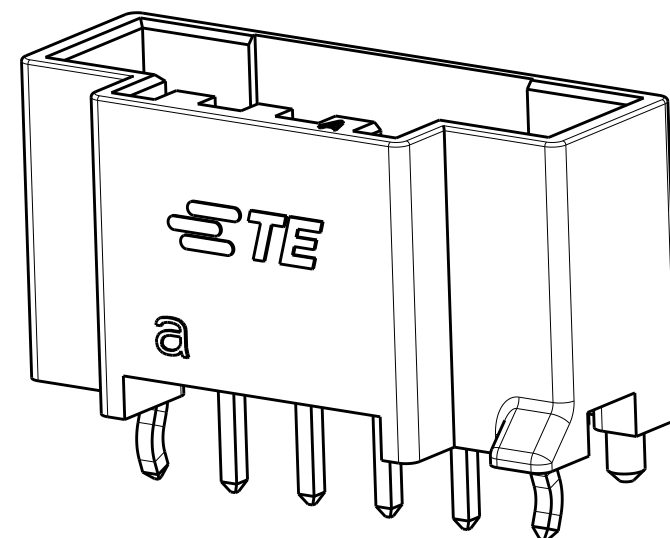
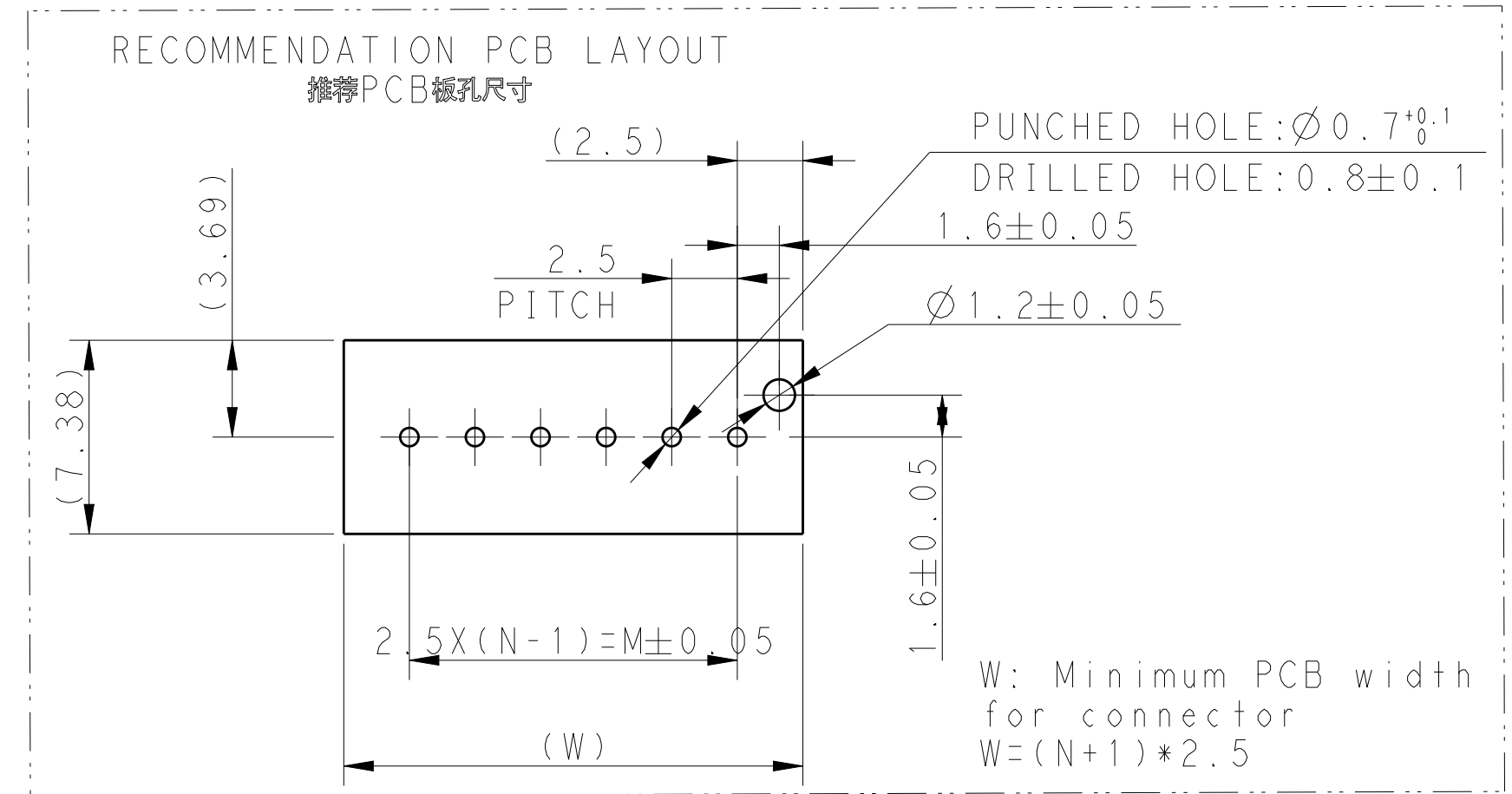
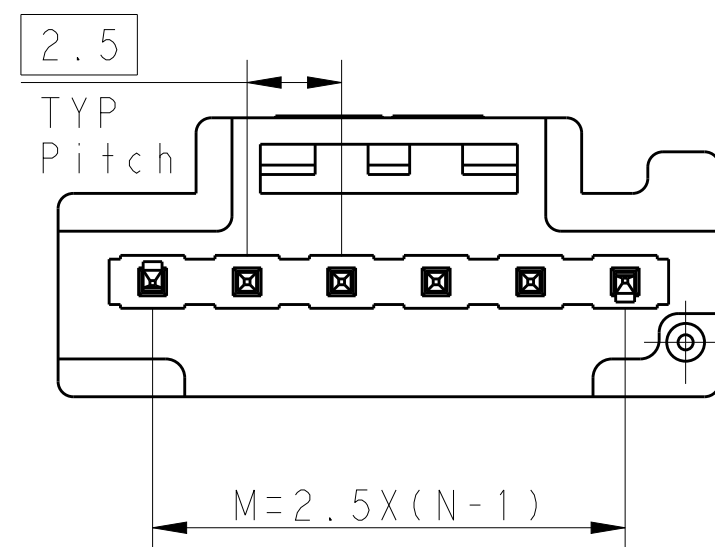
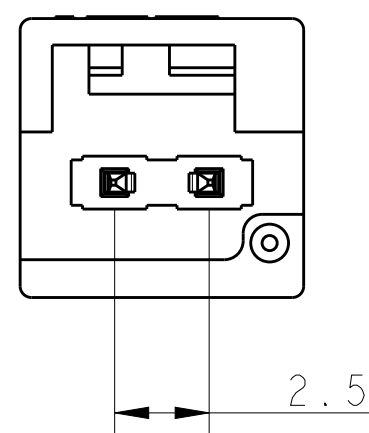


TABLE 1

NO.	PART NAME	MATERIAL	P/N
1	POST CONTACT	BRASS, FINISH; TIN PLATING	1971796-1
2	HEADER HOUSING	PA 66 GF UL94 V-0	X-1971797-X




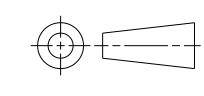
THIS DRAWING IS A CONTROLLED DOCUMENT.		DWN: H.J.Z 28MAY2013	TE Connectivity	
DIMENSIONS: mm		CHK: H.J.Z 28MAY2013		
TOLERANCES UNLESS OTHERWISE SPECIFIED:		APVD: YH.M 28MAY2013	NAME: HEADER ASSY, PITCH 2.5 WITH BOSS D1.0	
0 PLC ± 0.3		PRODUCT SPEC: 108-106077	NEXT GENERATION	
1 PLC ± 0.3		APPLICATION SPEC: -	GRACE INERTIA CONNECTOR	
2 PLC ± 0.3		WEIGHT: -	SIZE: A2	CAGE CODE: -
3 PLC ± 0.01		SCALE: /	DRAWING NO: 1971798	RESTRICTED TO: -
4 PLC ± 0.0001		Customer Drawing	SHEET 1 OF 2	REV B
ANGLES ± -				
FINISH				

THIS DRAWING IS UNPUBLISHED. RELEASED FOR PUBLICATION
 © COPYRIGHT BY - TE CONNECTIVITY ALL RIGHTS RESERVED.

REVISIONS				
P	LTR	DESCRIPTION	DATE	APVD
-	-	SEE SHEET 1	-	-

MATING CONN P/N	P	N	M	Pos	COLOR	KEYING	PART NUMBER	DESCRIPTION
8-1971793-X	22.5	8	17.5	8	BLACK	E	8-1971798-5	HEADER HOUSING ASSEMBLY
					YELLOW	D	8-1971798-4	
					RED	C	8-1971798-3	
					BLUE	B	8-1971798-2	
					NATURAL	A	8-1971798-1	
7-1971793-X	20.0	7	15.0	7	BLACK	D	7-1971798-5	
					YELLOW	D	7-1971798-4	
					RED	C	7-1971798-3	
					BLUE	B	7-1971798-2	
					NATURAL	A	7-1971798-1	
6-1971793-X	17.5	6	12.5	6	BLACK	D	6-1971798-5	
					YELLOW	D	6-1971798-4	
					RED	C	6-1971798-3	
					BLUE	B	6-1971798-2	
					NATURAL	A	6-1971798-1	
5-1971793-X	15.0	5	10.0	5	BLACK	D	5-1971798-5	
					YELLOW	D	5-1971798-4	
					RED	C	5-1971798-3	
					BLUE	B	5-1971798-2	
					NATURAL	A	5-1971798-1	
4-1971793-X	12.5	4	7.5	4	BLACK	D	4-1971798-5	
					YELLOW	D	4-1971798-4	
					RED	C	4-1971798-3	
					BLUE	B	4-1971798-2	
					NATURAL	A	4-1971798-1	
3-1971793-X	10.0	3	5	3	BLACK	D	3-1971798-5	
					YELLOW	D	3-1971798-4	
					RED	C	3-1971798-3	
					BLUE	B	3-1971798-2	
					NATURAL	A	3-1971798-1	
2-1971793-X	7.5	2	2.5	2	BLACK	D	2-1971798-5	
					YELLOW	D	2-1971798-4	
					RED	C	2-1971798-3	
					BLUE	B	2-1971798-2	
					NATURAL	A	2-1971798-1	

* ITEM TITLE NUMBER "N" MEANS POLES QUANTITY NUMBER.

THIS DRAWING IS A CONTROLLED DOCUMENT.		DWN	HJ.Z	28MAY2013	 TE Connectivity
DIMENSIONS: mm		CHK	HJ.Z	28MAY2013	
		APVD	YH.M	28MAY2013	
TOLERANCES UNLESS OTHERWISE SPECIFIED: 0 PLC ± 0.3 1 PLC ± 0.3 2 PLC ± 0.3 3 PLC ± 0.013 4 PLC ± 0.001 ANGLES ± - FINISH ± -		PRODUCT SPEC	NAME		
MATERIAL		APPLICATION SPEC	108-106077		NEXT GENERATION
WEIGHT		RESTRICTED TO	-		GRACE INERTIA CONNETOR
SCALE		SIZE	CAGE CODE	DRAWING NO	
Customer Drawing		A2	-	G-1971798	
SHEET		2	OF	2	REV
					B