

4

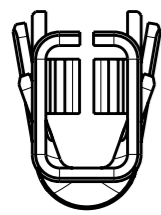
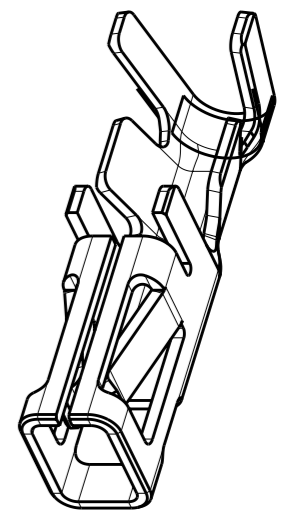
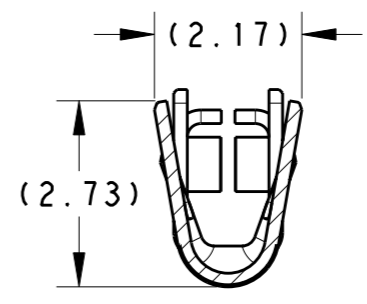
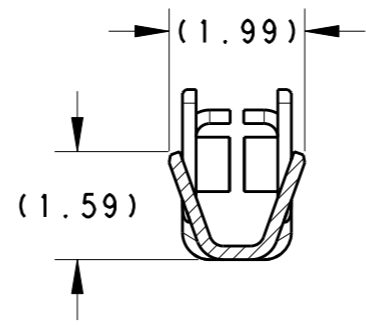
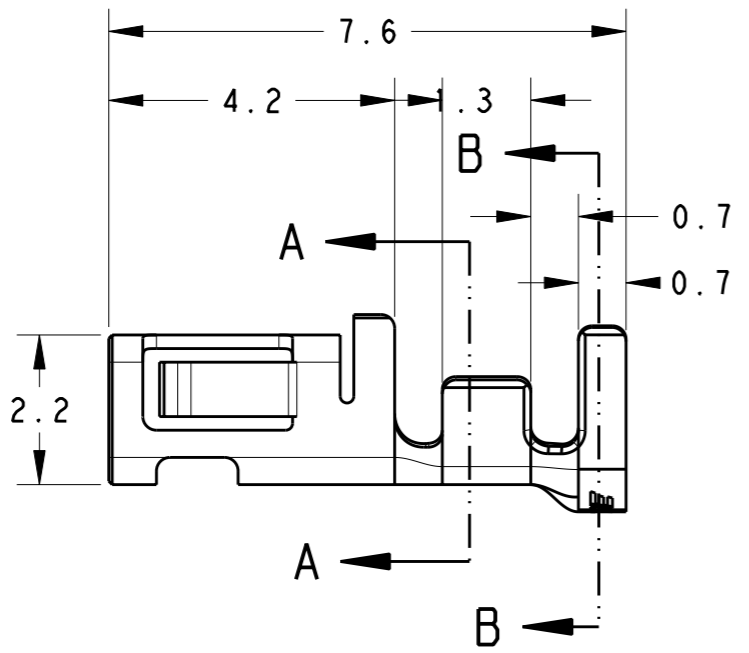
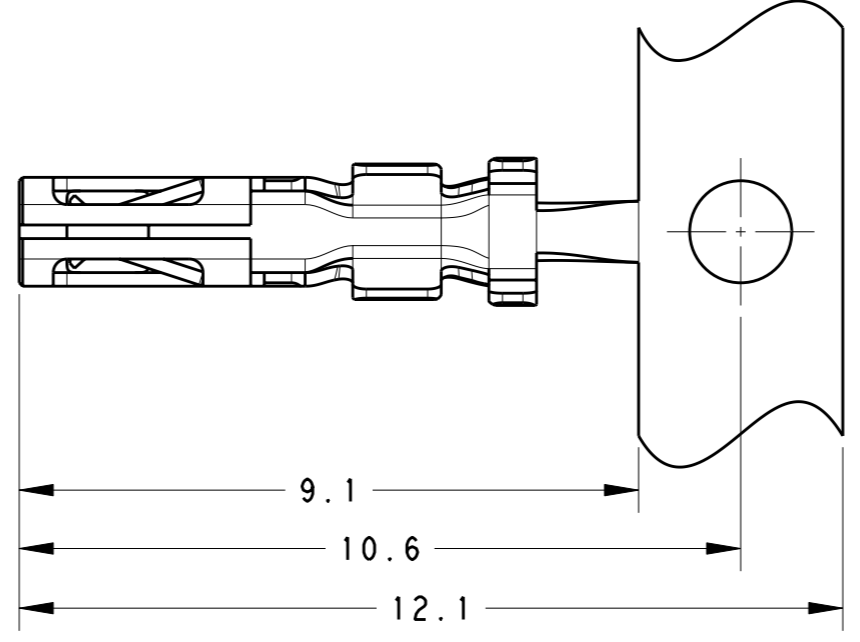
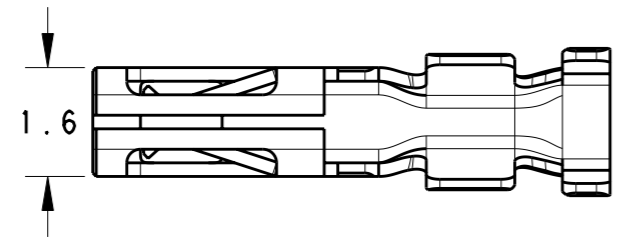
3

2

1

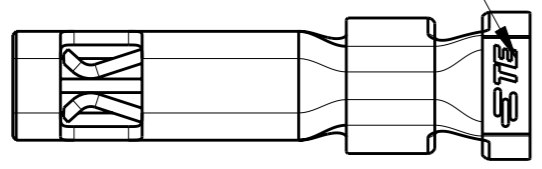
THIS DRAWING IS UNPUBLISHED. RELEASED FOR PUBLICATION 20  
 © COPYRIGHT 20 BY - TE CONNECTIVITY ALL RIGHTS RESERVED.

LOC	DIST	REVISIONS			
P	LTR	DESCRIPTION	DATE	DWN	APVD
-	-	A	INITIAL RELEASE	21FEB2012	ZHJ E.K
-	-	-			



1. APPLICABLE PLUG HOUSING P/N: X-1971793-X

TRADE MARK



AWG#22~#28 0.079~0.38MM^2	1.08~1.50	PRE-TIN COPPER ALLOY	7	1971795-1
WIRE RANGE	INSULATION DIA	MATERIAL	APPL FEED	PART NO.

THIS DRAWING IS A CONTROLLED DOCUMENT.		DWN FEB 21, 2012 HAIJUN ZHANG	TE Connectivity	
		CHK FEB 21, 2012 HAIJUN ZHANG		
		APVD FEB 23, 2012 ERIC KONG	NAME RECEPTACLE CONTACT, 2.5 PITCH NEXT GENERATION GI CONNECTOR	
DIMENSIONS: mm		PRODUCT SPEC 108-106077	RESTRICTED TO	
TOLERANCES UNLESS OTHERWISE SPECIFIED: 0 PLC ±.3 1 PLC ±.3 2 PLC ±.1 3 PLC ±.001 4 PLC ±.0001 ANGLES ±.		APPLICATION SPEC 114-106077	SIZE A3	CAGE CODE 00779
MATERIAL SEE TABLE		WEIGHT 0.056g	DRAWING NO C-1971795	SCALE / SHEET 1 OF 1 REV A
CUSTOMER DRAWING				