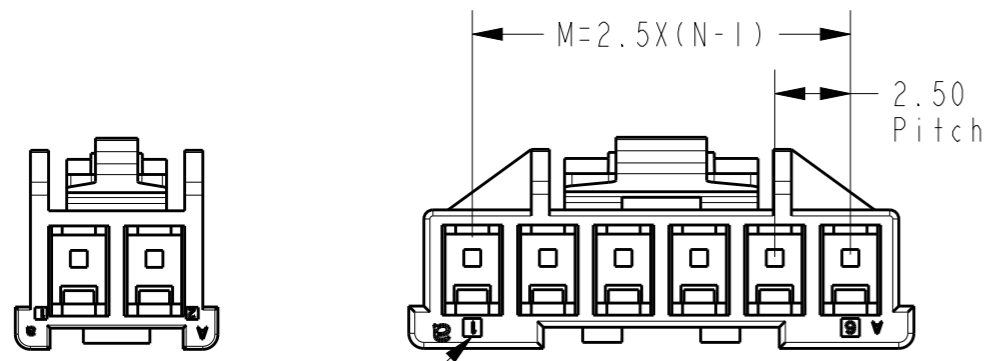
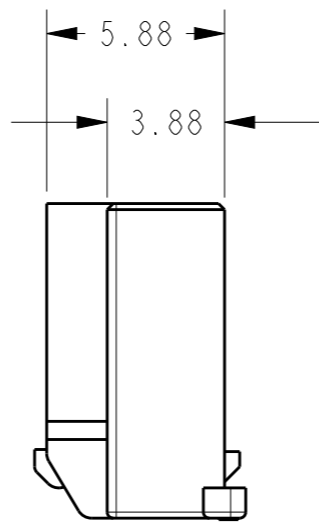
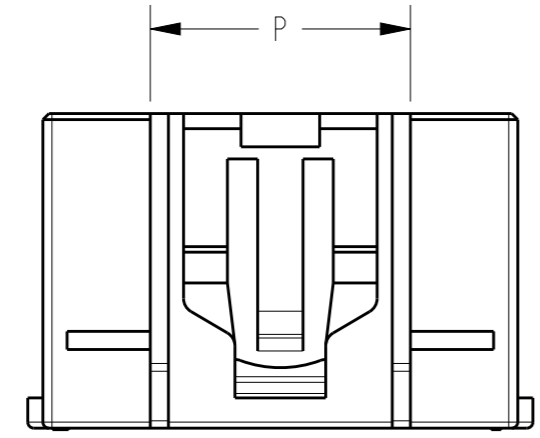
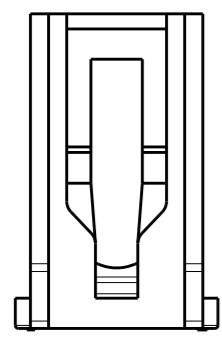
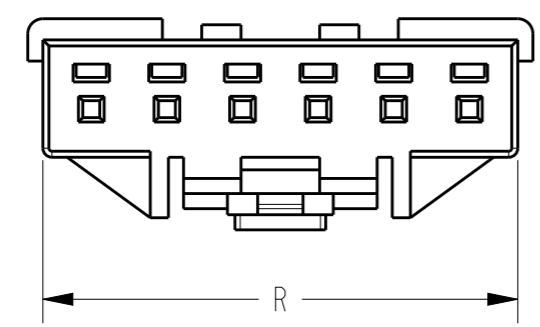
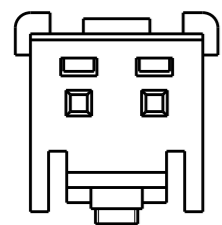
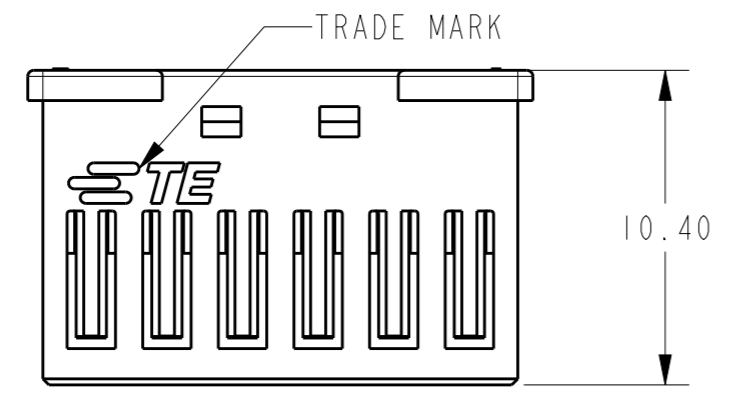
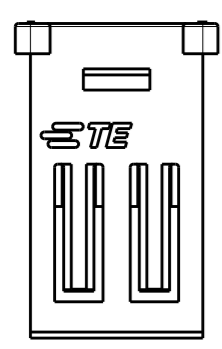


THIS DRAWING IS UNPUBLISHED. RELEASED FOR PUBLICATION
 © COPYRIGHT - BY - TE CONNECTIVITY ALL RIGHTS RESERVED.

| LOC | DIST | REVISIONS | | | | | |
|-----|------|-----------|-----|-------------------|-----------|-------|-------|
| | | P | LTR | DESCRIPTION | DATE | DWN | APVD |
| - | - | A | | INITIAL | 13APR2012 | ZHJ | E. K |
| - | - | B | | ADD 4P/7P PRODUCT | 28MAY2013 | HJ. Z | YH. M |

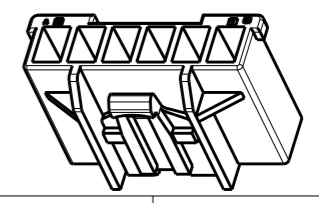
(2 POS.)

(6 POS.)



CIRCUIT NO. 1

Notes:
 1 GENERAL TOLERANCE $\pm 0.3, \pm 3^\circ$
 2 MATERIAL: PA66 GF(UL94V-0)
 3 MATING CONN. P/N: SEE TABLE
 4 APPLICABLE CONTACT P/N: 1971795-1



| MATING CONN P/N | COLOR | KEYING | R | M | P | N(POS.) | PART NO. |
|--|---------|--------|------|------|------|---------|-------------|
| 8-1971798-X 8-1971800-X 8-2232505-X 8-2232506-X | BLACK | D | 20.7 | 17.5 | 10.2 | 8 | 8-1971793-5 |
| | YELLOW | D | | | | | 8-1971793-4 |
| | RED | C | | | | | 8-1971793-3 |
| | BLUE | B | | | | | 8-1971793-2 |
| | NATURAL | A | | | | | 8-1971793-1 |
| 7-1971798-X 7-1971800-X 7-2232505-X 7-2232506-X | BLACK | D | 18.2 | 15 | 10.2 | 7 | 7-1971793-5 |
| | YELLOW | D | | | | | 7-1971793-4 |
| | RED | C | | | | | 7-1971793-3 |
| | BLUE | B | | | | | 7-1971793-2 |
| | NATURAL | A | | | | | 7-1971793-1 |
| 6-1971798-X 6-1971800-X 6-2232505-X 6-2232506-X | BLACK | D | 15.7 | 12.5 | 8.6 | 6 | 6-1971793-5 |
| | YELLOW | D | | | | | 6-1971793-4 |
| | RED | C | | | | | 6-1971793-3 |
| | BLUE | B | | | | | 6-1971793-2 |
| | NATURAL | A | | | | | 6-1971793-1 |
| 5-1971798-X 5-1971800-X 5-2232505-X 5-2232506-X | BLACK | D | 13.2 | 10 | 8.6 | 5 | 5-1971793-5 |
| | YELLOW | D | | | | | 5-1971793-4 |
| | RED | C | | | | | 5-1971793-3 |
| | BLUE | B | | | | | 5-1971793-2 |
| | NATURAL | A | | | | | 5-1971793-1 |
| 4-1971798-X 4-1971800-X 4-2232505-X 4-2232506-X | BLACK | D | 10.7 | 7.5 | 7.4 | 4 | 4-1971793-5 |
| | YELLOW | D | | | | | 4-1971793-4 |
| | RED | C | | | | | 4-1971793-3 |
| | BLUE | B | | | | | 4-1971793-2 |
| | NATURAL | A | | | | | 4-1971793-1 |
| 3-1971798-X 3-1971800-X 3-2232505-X 3-2232506-X | BLACK | D | 8.2 | 5 | 6.2 | 3 | 3-1971793-5 |
| | YELLOW | D | | | | | 3-1971793-4 |
| | RED | C | | | | | 3-1971793-3 |
| | BLUE | B | | | | | 3-1971793-2 |
| | NATURAL | A | | | | | 3-1971793-1 |
| 2-1971798-X 2-1971800-X 2-2232505-X 2-2232506-X | BLACK | D | 5.7 | 2.5 | 5.7 | 2 | 2-1971793-5 |
| | YELLOW | D | | | | | 2-1971793-4 |
| | RED | C | | | | | 2-1971793-3 |
| | BLUE | B | | | | | 2-1971793-2 |
| | NATURAL | A | | | | | 2-1971793-1 |

THIS DRAWING IS A CONTROLLED DOCUMENT.

DWN HJ.Z 28MAY2013
 CHK HJ.Z 28MAY2013
 APVD YH.M 28MAY2013

PRODUCT SPEC 108-106077
 APPLICATION SPEC -

WEIGHT -

Customer Drawing

SCALE / SHEET 1 OF 1 REV B

STE TE Connectivity

NEXT GENERATION GRACE INERTIA CONNECTOR 2.5 PLUG HOUSING

SIZE A3 CAGE CODE - DRAWING NO. C-1971793 RESTRICTED TO -